

## FEATURES:

- LOW INSERTION LOSS
- HIGH Tx to Rx REJECTION
- LIGHT WEIGHT
- RUGGED CONSTRUCTION

## ELECTRICAL CHARACTERISTICS:

Operating Frequency Range : 10.700 to 11.700 GHz

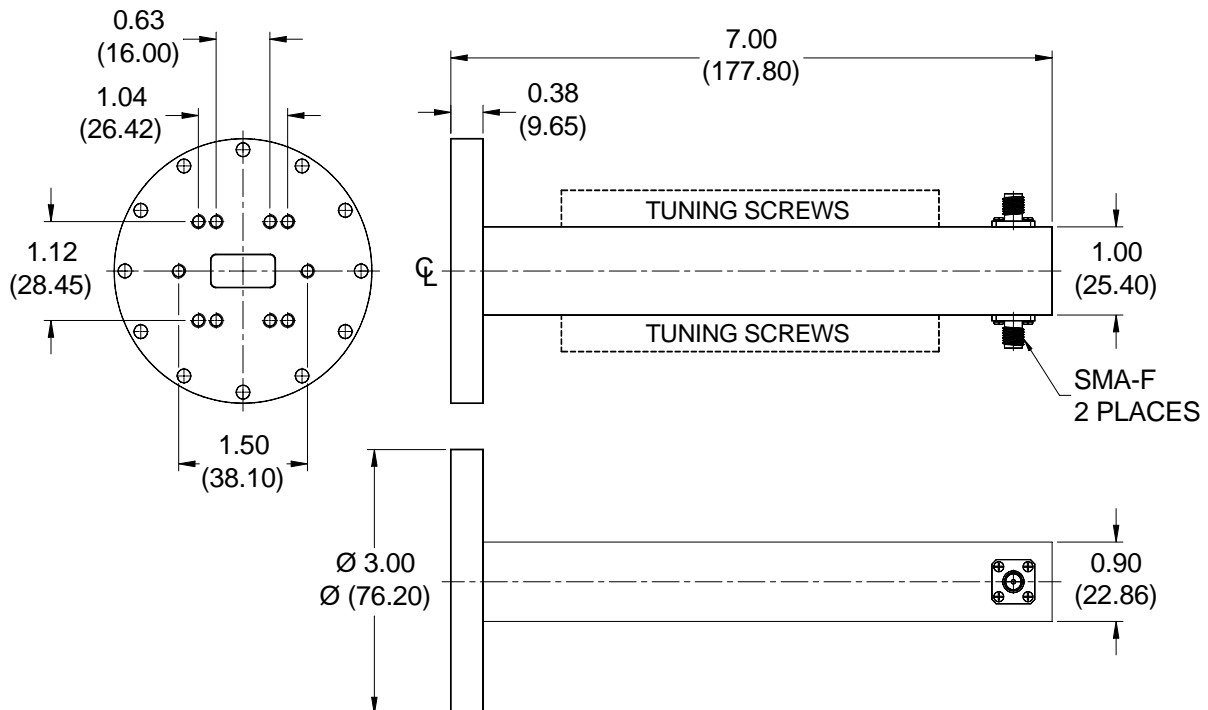
Operating Temperature Range : -30°C to +70°C

Part Number	Tx F0	Rx F0	Tx / Rx B.W.	R.L. All Ports	I.L. @ Fo	Rejection Frequency	Tx to Rx Rejection
AD75-0002	10.815 GHz	11.345 GHz	240 MHz	16 dB min.	1.0 dB max.	Fo ± 410 MHz	60 dB min.
AD75-0003	11.055 GHz	11.585 GHz	240 MHz	16 dB min.	1.0 dB max.	Fo ± 410 MHz	60 dB min.

Specifications are subject to change for continuous improvement.

## MECHANICAL CHARACTERISTICS:

- Dimensions are in inches (millimeters)
- Interface: WR75 Cover, SMA-F connector
- Finish: Silver Plate per QQ-S-365 Type II, Grade A
- Material: Alum. 6061T6



**Note:** Other Diplexer configurations are available.