

FEATURES:

- LOW INSERTION LOSS
- HIGH Tx to Rx REJECTION
- LIGHT WEIGHT
- RUGGED CONSTRUCTION

ELECTRICAL CHARACTERISTICS:

Operating Frequency Range : 12.750 to 13.250 GHz

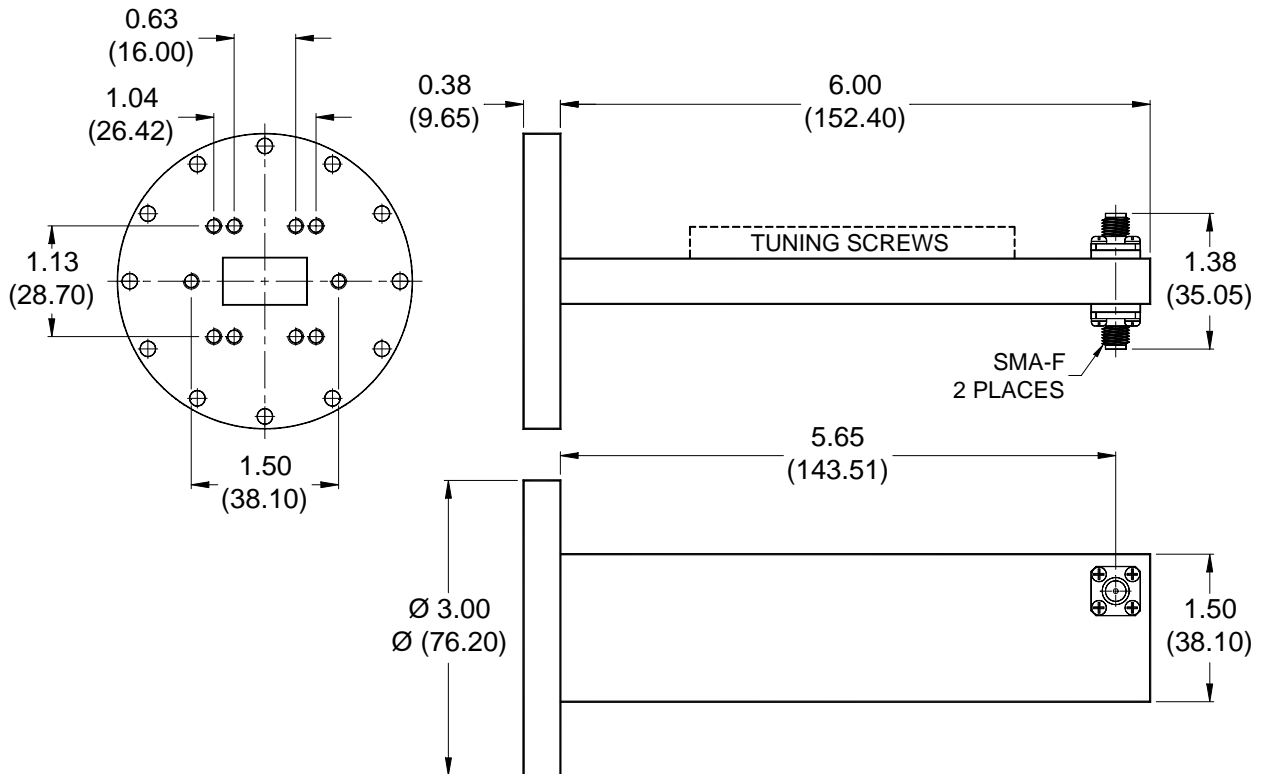
Operating Temperature Range : -30°C to +70°C

Part Number	T/R Spacing	Rx Filt. B.W.	Tx Filt. B.W.	R.L. All Ports	I.L. @ Fo	Rejection Frequency	Tx to Rx Rejection
AD75-0001	267.5 MHz	175 MHz	175 MHz	16 dB min.	1.0 dB max.	Fo ± 180 MHz	43 dB min.

Specifications are subject to change for continuous improvement.

MECHANICAL CHARACTERISTICS:

- a) Dimensions are in inches (millimeters)
- b) Interface: WR75 Cover, SMA-F connector
- c) Finish: Silver Plate QQ-S-365 Type II, Grade A
- d) Material: Bronze 90% Cu, 10% Zn



Note: Other Diplexer configurations are available.