

**FEATURES:**

- LOW INSERTION LOSS
- HIGH Tx to Rx REJECTION
- LIGHT WEIGHT
- RUGGED CONSTRUCTION

**ELECTRICAL CHARACTERISTICS:**

Operating Frequency Range : 14.400 to 15.600 GHz

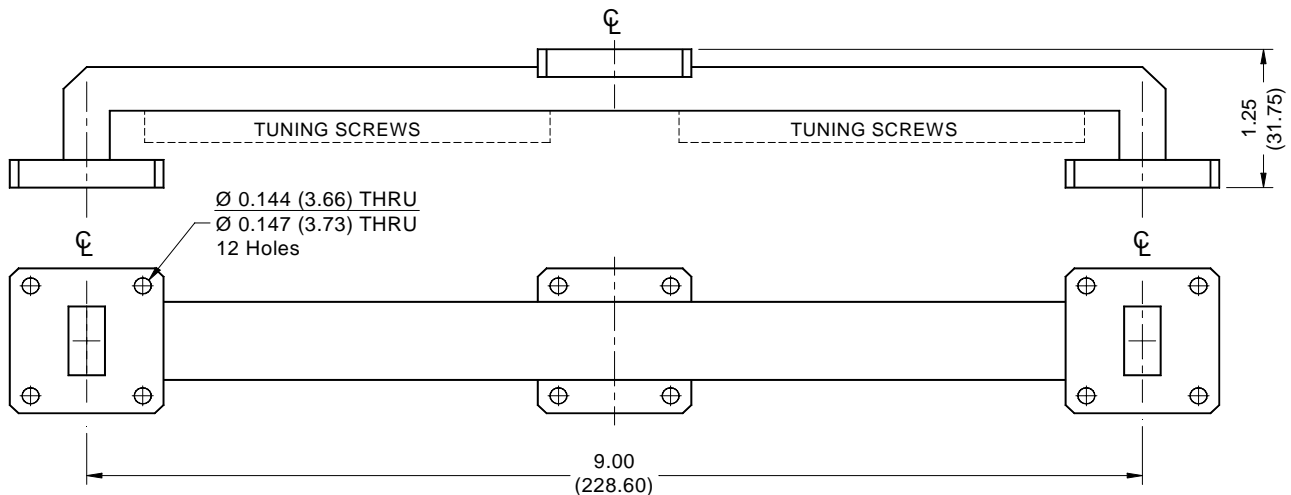
Operating Temperature Range : -30°C to +70°C

Part Number	T/R Spacing	Rx Filt. B.W.	Tx Filt. B.W.	R.L. All Ports	I.L. @ Fo	Rejection Frequency	Tx to Rx Rejection
AD62-0009	315 MHz	112 MHz	112 MHz	20 dB min.	2.0 dB max.	Fo ± 364 MHz	70 dB min
AD62-0010	322 MHz	112 MHz	112 MHz	20 dB min.	2.0 dB max.	Fo ± 364 MHz	70 dB min
AD62-0011	400 MHz	250 MHz	250 MHz	16 dB min.	1.0 dB max.	Fo ± 295 MHz	43 dB min.
AD62-0012	420 MHz	112 MHz	112 MHz	20 dB min.	2.0 dB max.	Fo ± 370 MHz	70 dB min.
AD62-0013	420 MHz	147 MHz	147 MHz	15 dB min.	1.25 dB max.	Fo ± 347 MHz	60 dB min.
AD62-0014	475 MHz	160 MHz	160 MHz	15 dB min.	1.25 dB max.	Fo ± 395 MHz	60 dB min.
AD62-0015	478 MHz	210 MHz	210 MHz	15 dB min.	1.25 dB max.	Fo ± 373 MHz	60 dB min.
AD62-0016	482 MHz	164 MHz	149 MHz	15 dB min.	1.25 dB max.	Fo ± 400 MHz	60 dB min.
AD62-0017	490 MHz	112 MHz	112 MHz	20 dB min.	2.0 dB max.	Fo ± 440 MHz	70 dB min.
AD62-0018	490 MHz	168 MHz	168 MHz	15 dB min.	1.25 dB max.	Fo ± 406 MHz	60 dB min.
AD62-0019	640 MHz	210 MHz	210 MHz	20 dB min.	2.0 dB max.	Fo ± 535 MHz	70 dB min.
AD62-0020	729 MHz	300 MHz	300 MHz	16 dB min.	1.0 dB max.	Fo ± 579 MHz	43 dB min.

Specifications are subject to change for continuous improvement.

**MECHANICAL CHARACTERISTICS:**

- a) Dimensions are in inches (millimeters)
- b) Interface: WR62/UG-1665/U Flange
- c) Finish: Silver Plate QQ-S-365 Type II, Grade A



**Note:** Other Diplexer configurations are available.