

Model No: ANT-180-MMDS-13dBi(2100-2700 MHz)

Wideband Base Station 180° Sector Antenna

Feature

- **Wide Frequency Band covering 2100 – 2700 MHz**
- **One Antenna Covering the MDS,WCS and MMDS bands**
- **Use less number of Transmission Lines**
- **Maximized 13 dBi gain for Base Station systems**
- **Half power beamwidth of 180°x7.5°**
- **Cross Polarization Discrimination of 20 dB**
- **Front to back ratio rejection of 20 dB**
- **Vertical polarization**
- **N-Type-F connector**
- **Power handling of 200W**
- **Easy installation save money and time**
- **Optional mounting brackets**



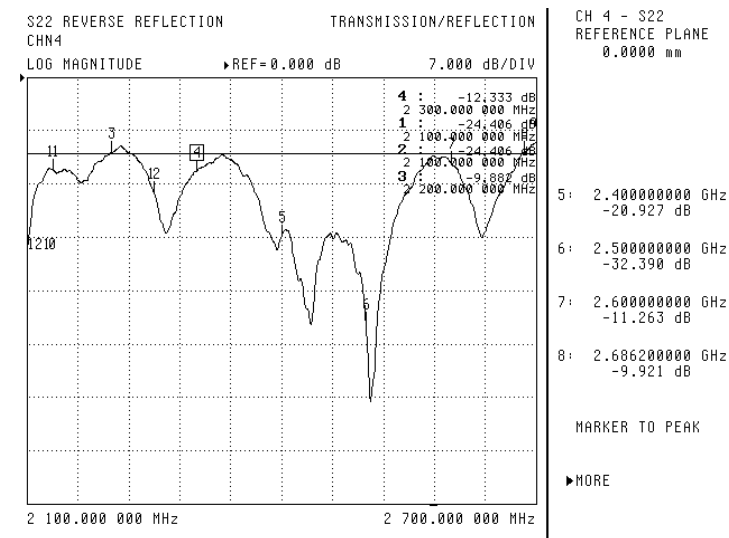
Overview

The Trackcom Systems International Inc. broadband 2.1-2.7 GHz Flat Panel High Gain Antenna is an 180° sector antenna for use in base station systems. This antenna saves initial capital expenditure as the single unit covers the MDS, WCS and MMDS bands. The antenna is vertically polarized. The excellent radiation characteristics are the distinguishing features of this well priced antenna.

Overall Specification

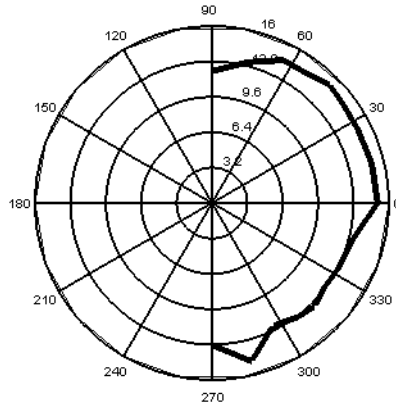
Parameter	Description
Frequency	2100 – 2700 MHz
Gain	> 13 dBi (+/-1dB)
Return Loss	2.1-2.7 GHz: 10dB max. (VSWR=1.9:1)
Power Rating	200W
Elevation Beam width (HPBW)	7.0° to 8°
Azimuth Beam width (HPBW)	180°
Polarization	Vertical
Cross Polarization Discrimination (Both Plane)	>20dB over HPBW
Front to Back Ratio	>20dB
Impedance	50Ω nominal
Connector	N-Type-F
Pole mount brackets	Galvanized steel - Optional
Pole mount size	5-11 cm
Mechanical tilt	0-25° using the TSI optional mounting brackets
Dimensions LxDxW cm	160.50 X 23.40 X 16.3 cm
Weight	15.4 kg

Input Return Loss

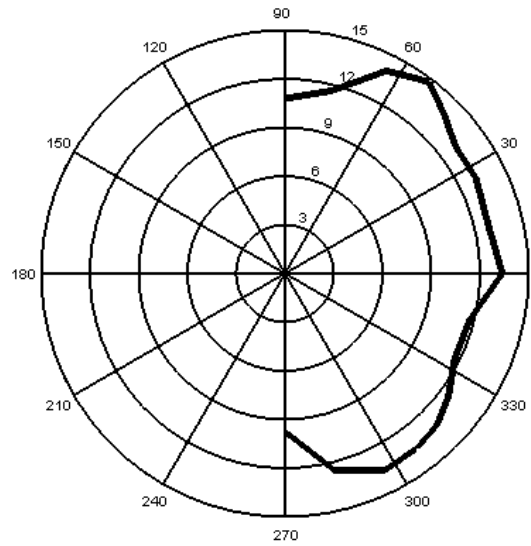


Antenna Gain Patterns

At: 2.2 GHz



At: 2.6 GHz



©2007 Trackcom Systems. All rights reserved. Trackcom Systems and logo are registered trademarks of Trackcom Systems Inc. All other trademarks are the property of their respective owners