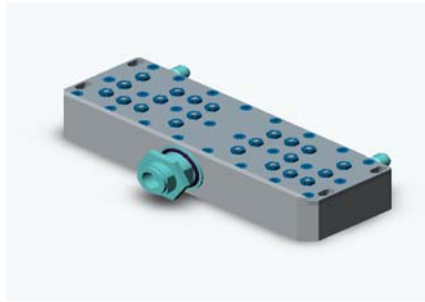


7.5GHz Diplexer

ComPlus™ Series

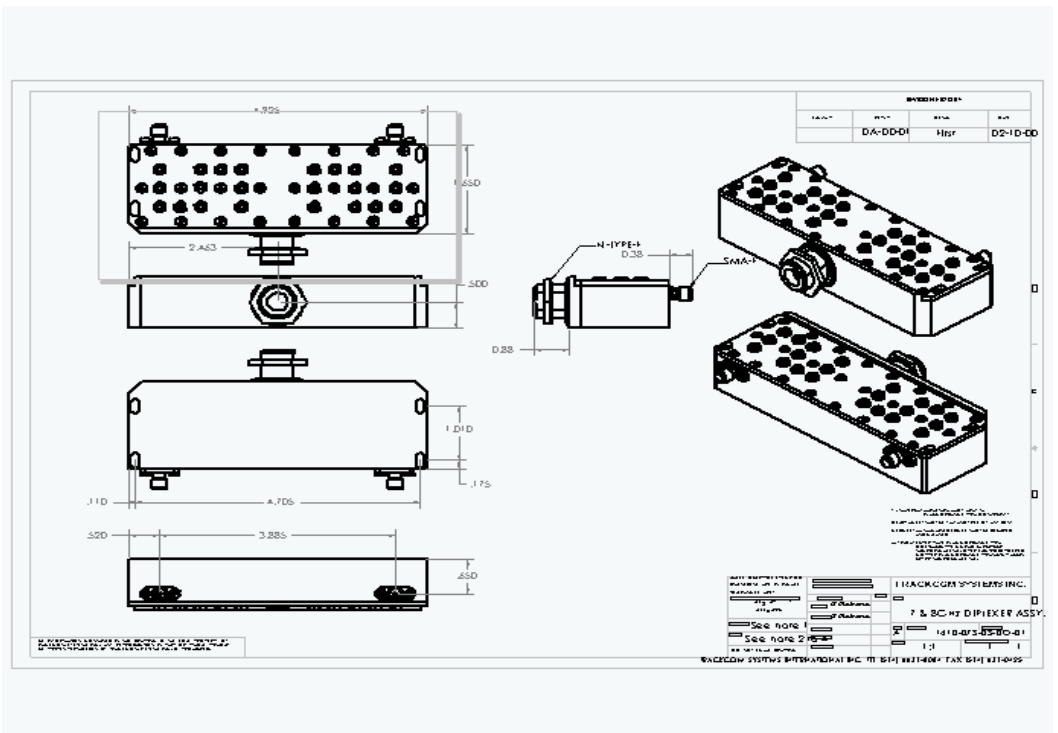
Feature Summary

- 7100-7800 MHz Frequency Band
- Cross coupled resonator design
- Excellent rejection and spurious characteristics
- Lightweight and compact size
- High stability over temperature range
- Easy installation saving money and time



Overview

The Trackcom Systems International Inc. 7.1-7.8GHz diplexer is a high Q structure enabling the achievement of high rejection and very low pass band insertion loss.



Overall Specification

Low Channel

Specifications	Band	Minimum	Maximum	Units
Pass band	A	7425	7498	MHz
	B	7498	7571	MHz
Insertion Loss	Fc		-1.6	dB
Return Loss	In Band		-17	dB
TX-RX Isolation			-70	dB

High Channel

Specifications	Band	Minimum	Maximum	Units
Pass band	A	7579	7652	MHz
	B	7652	7725	MHz
Insertion Loss	Fc		-1.6	dB
Return Loss	In Band		-17	dB
TX-RX Isolation			-70	dB
Operation Temperature		-40	85	°C



Trackcom Systems International Inc.

2459 46e Avenue, Lachine QC H8T 3C9 Canada (888) 840.7297 www.trackcom-system.ca info@trackcom-sys.ca